

# Fire Switch WSK for Smoke Ventilation Systems, IP40

## Description

The fire switch is developed to be used together with the Actulux smoke ventilation system.

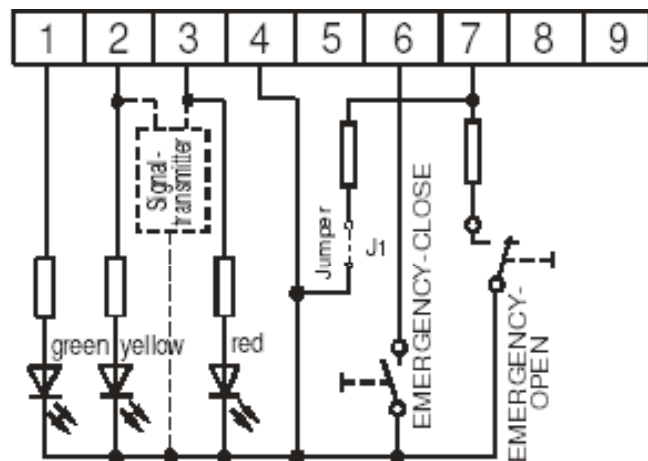
Function:	Alarm (open), reset and off Sound indicator
LED indication:	"ok "error" (yellow) "alarm activated" (red)
Size:	125 mm x 125 mm x 36 mm (W x H x D)
Colour:	Grey
Protection degree:	IP40



## Connection diagram for WSK 320

Terminals:

1. green LED OK (lights when OK and while closing)
2. yellow LED (lights on error)
3. red LED alarm (emergency opening)
4. ground (-)
5. not used
6. fire switch reset
7. fire switch emergency opening



Jumper J1 must only be set in the last or only fire switch

## Operation instruction:

### During fire:

Break the glass and activate the red button.

**NB: During test open the lid and activate the red button.**

### Closing and alarm receipt:

Open the lid - activate the black reset button, alarm is reset and skylights are closed.